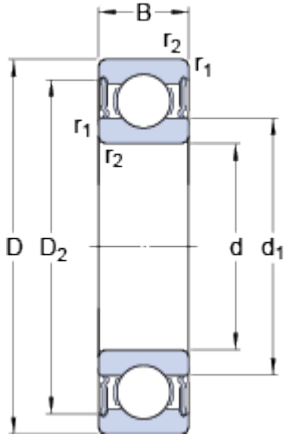


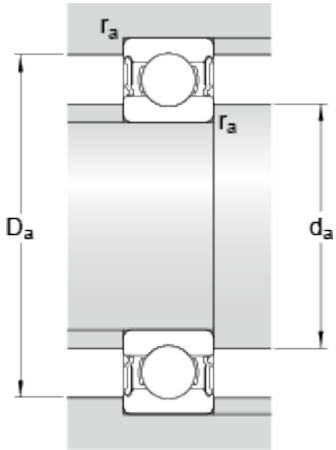
62213-2RS1

Dimensions



d		65	mm
D		120	mm
B		31	mm
d ₁	≈	83.3	mm
D ₂	≈	105.8	mm
r _{1,2}	min.	1.5	mm

Abutment dimensions



d _a	min.	74	mm
d _a	max.	83.2	mm
D _a	max.	111	mm
r _a	max.	1.5	mm

Calculation data

Basic dynamic load rating	C	55.9	kN
Basic static load rating	C ₀	40.5	kN
Fatigue load limit	P _u	1.7	kN
Limiting speed		3600	r/min
Calculation factor	k _r	0.025	
Calculation factor	f ₀	14.7	

Mass

Mass bearing		1.375	kg
--------------	--	-------	----